

CLOVER-CSE LLC
 PO BOX 2165
 PEACHTREE CITY, GA 30269
 COSHEA@CLOVER-CSE.COM
 (850) 750-1987

SEAL

INFO

OWNER AND/OR CONTRACTOR IS RESPONSIBLE FOR THE CONSTRUCTION PHASE OF THIS PROJECT AND SHALL FOLLOW ALL LOCAL AND NATIONAL BUILDING CODES AS APPLICABLE.

CONSULTANTS

PROJECT NAME

CULLMAN CSTORE

PROJECT LOCATION

N/A

REVISIONS

MARK	DATE	DESCRIPTION

PROJECT NUMBER: 173-00-000

DESIGNED BY: JBM

DRAWN BY: CLO

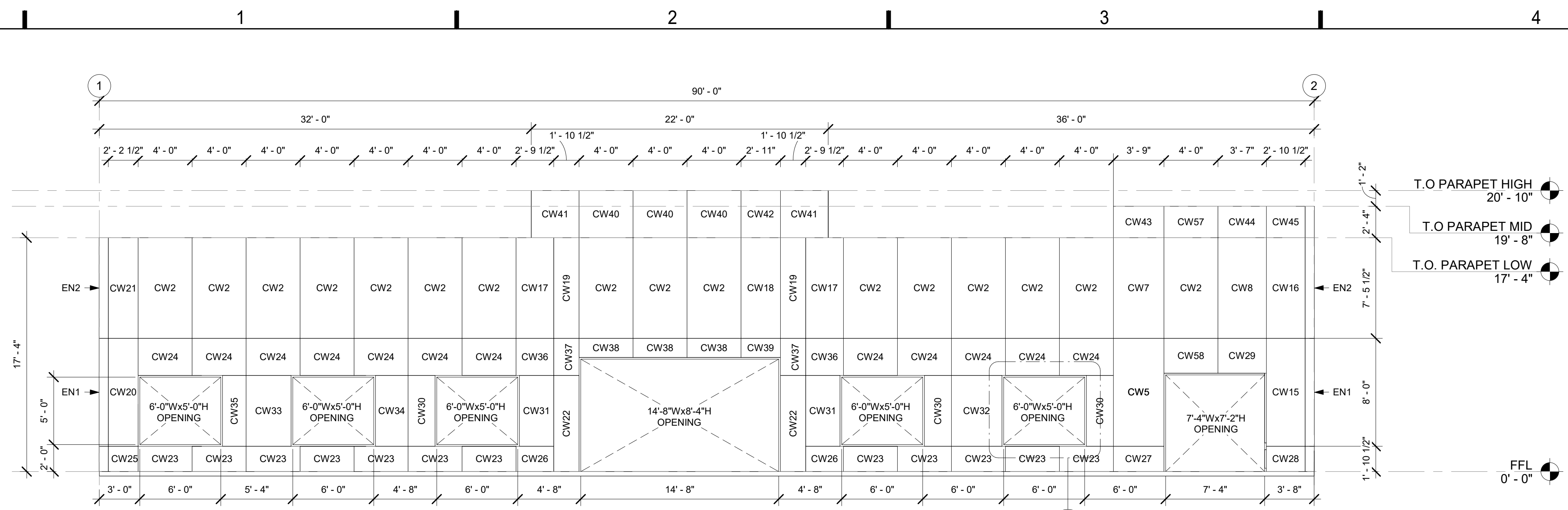
CHECKED BY: CLO

SHEET TITLE

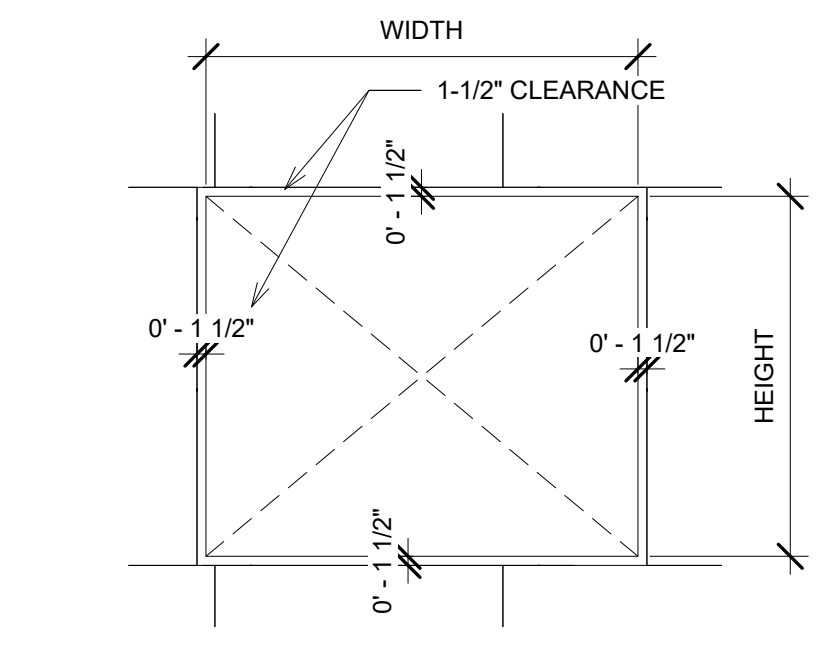
CEM WALL ELEVATION

SHEET NUMBER

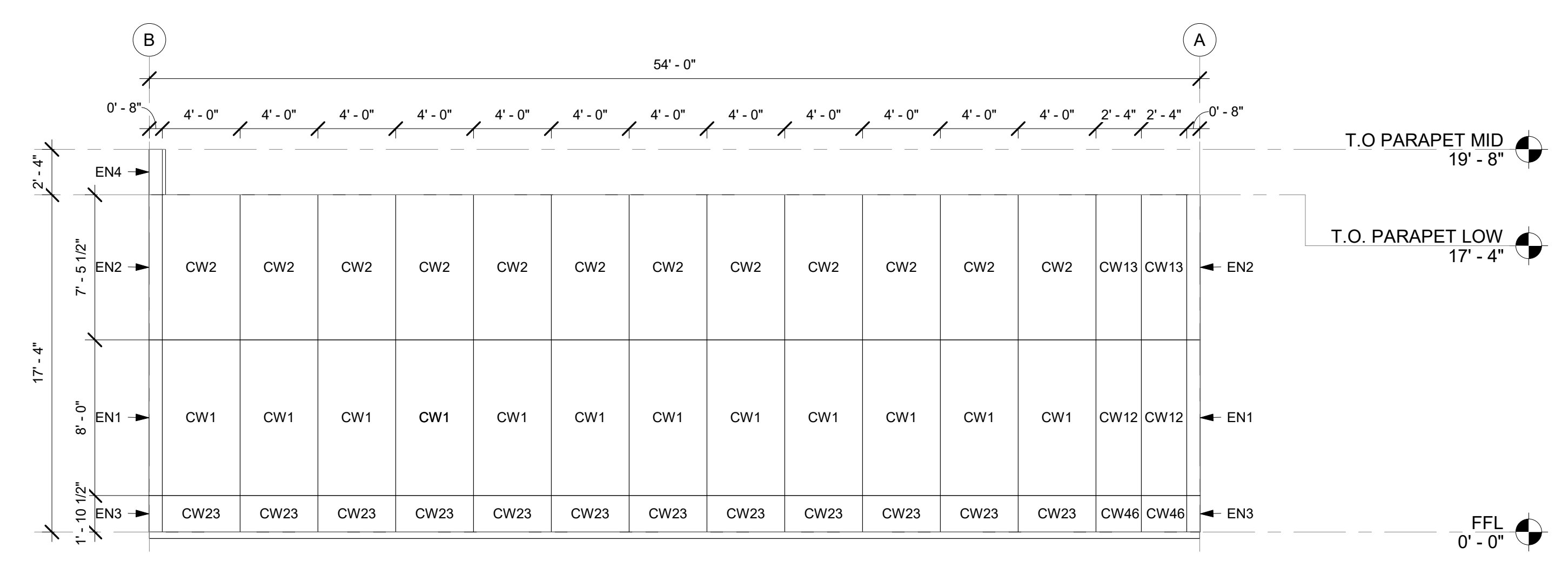
CW-102



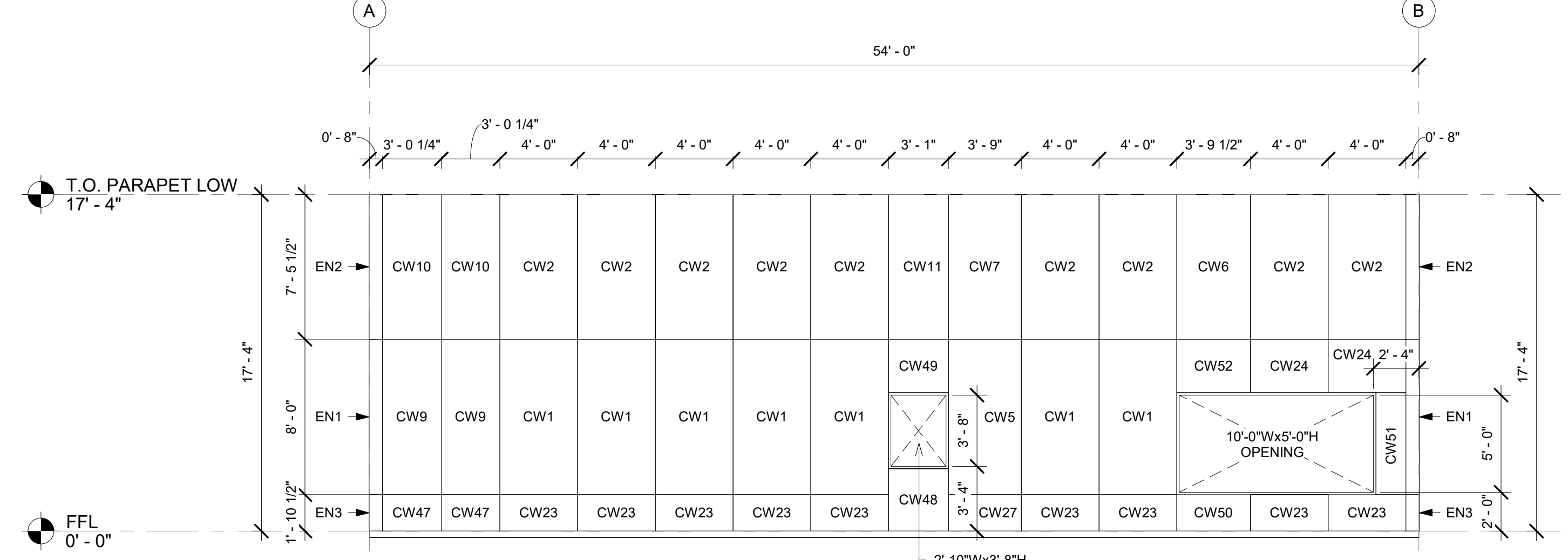
1 FRONT ELEVATION
 FULL SCALE: 3/16" = 1'-0"



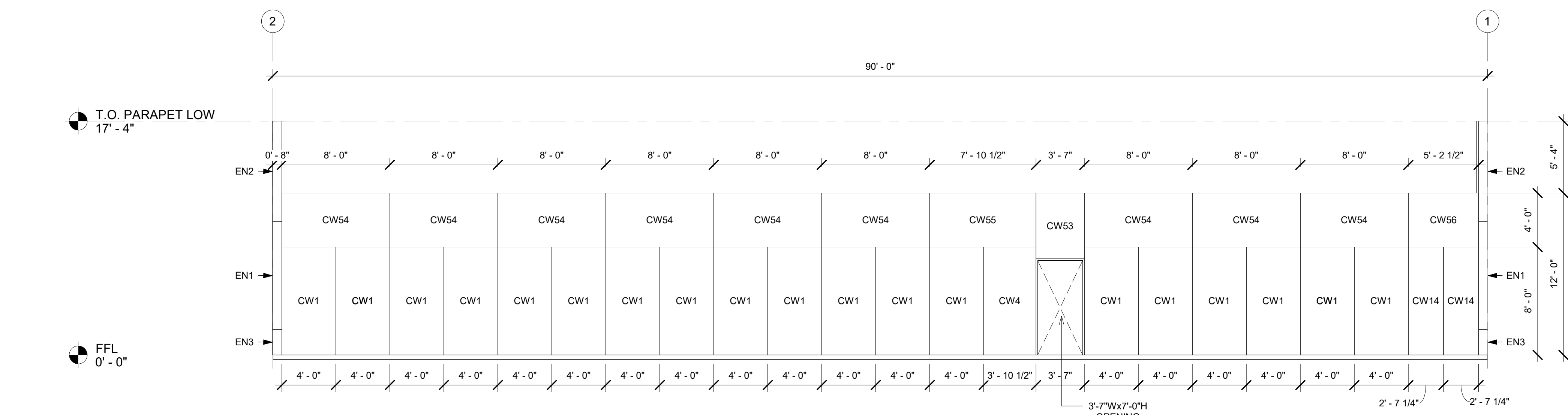
5 TYPICAL AT OPENINGS
 FULL SCALE: 3/8" = 1'-0"



2 RIGHT SIDE ELEVATION
 FULL SCALE: 3/16" = 1'-0"



3 LEFT SIDE ELEVATION
 FULL SCALE: 3/16" = 1'-0"



4 REAR ELEVATION
 FULL SCALE: 3/16" = 1'-0"